



Mixer Tap Margot Gun Metal

Mixer Taps

Code: 8524 006



DETAILS

Mixer type Single-lever mixer tap with rotating, collapsible barrel (Up&Down)

Material Brass

Texture Chromed

Finish PVD

Coloring Gun Metal

Cartridge With ceramic discs

Mixer hole \varnothing 35 mm

Strengthening plate \varnothing 55mm

Max worktop thickness 70 mm

Rotating angle 360°

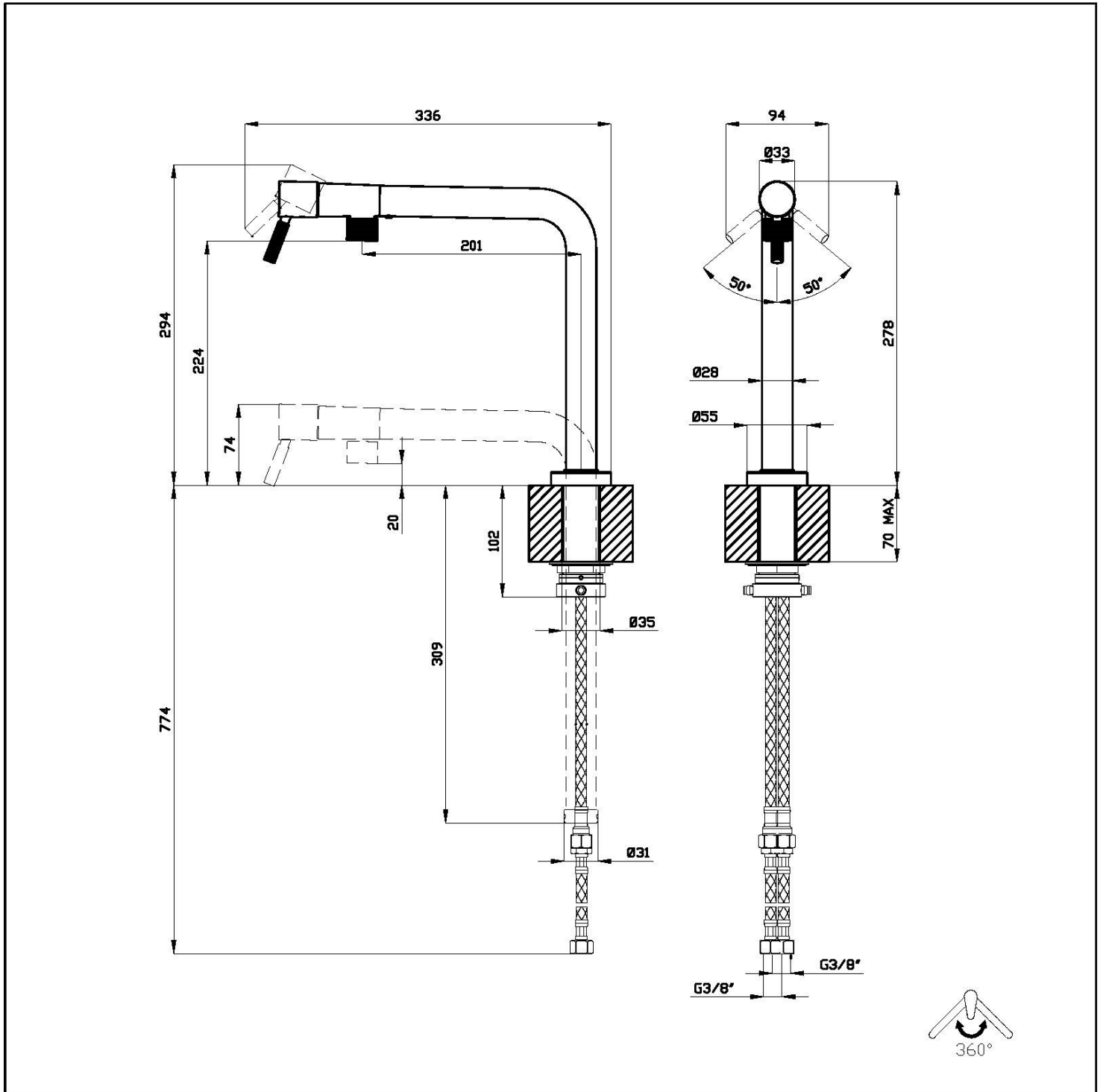
FEATURES

COLLAPSIBILE BARREL Feature that makes it possible to foresee the sink in front of a window, so as to enjoy the natural light.

Rotating angle All the taps have a wide angle of rotation. Some models even permit a full 360° rotation.

Strengthening plate Foster's mixer taps are equipped with the strengthening plate that offers perfect stability on any sink.

TECHNICAL DATA



GALLERY

